

**Contents**

<i>Description</i>	<i>Page</i>
<b>Reversing Drum Switches</b>	
Application Description . . . . .	<b>38-10</b>
Features . . . . .	<b>38-10</b>
Operation . . . . .	<b>38-10</b>
Standards and Certifications . . . . .	<b>38-10</b>
Wiring Diagrams . . . . .	<b>38-10</b>
Dimensions . . . . .	<b>38-11</b>
Product Selection . . . . .	<b>38-11</b>



Type DB and DD

**Application Description**

These drum switches are designed primarily for use with single-phase and squirrel cage, single-speed reversible motors which may be connected directly across-the-line. Typical applications would be hoists and machine tools.

**Features**

- Compact size
- Front mounting — easily installed
- Terminals front accessible — slanted 45° for extra convenience
- Captive pressure clamps on terminal screws back off with screw — no prying with screwdriver necessary
- Choice of operators
  - Large
  - Lever
  - Knob
- Orientation of operator independent of legend — 360° positioning in 22-1/2° increments — pointer remains oriented to legend
- Field convertible from maintained to momentary operation
- Replaceable, large volume, silver plated contacts
- Oiltight machine cavity or surface mounting types
- Modern attractive appearance

**Operation**

All of the operators may be rotated 360° in 22-1/2° increments without losing the indication of the drum position. A red-lined pointer is permanently orientated to the legend markings and clearly indicates the selected drum function regardless of the selected setting for the operator. This enables the user to “offset” the operator to afford the most comfortable operating position. This is accomplished simply by loosening and retightening one screw.

**Standards and Certifications**

- UL File No. E37316, Category NLRV
- CSA Guide No. 184-N-13.13A, Class 3211



**Wiring Diagrams**

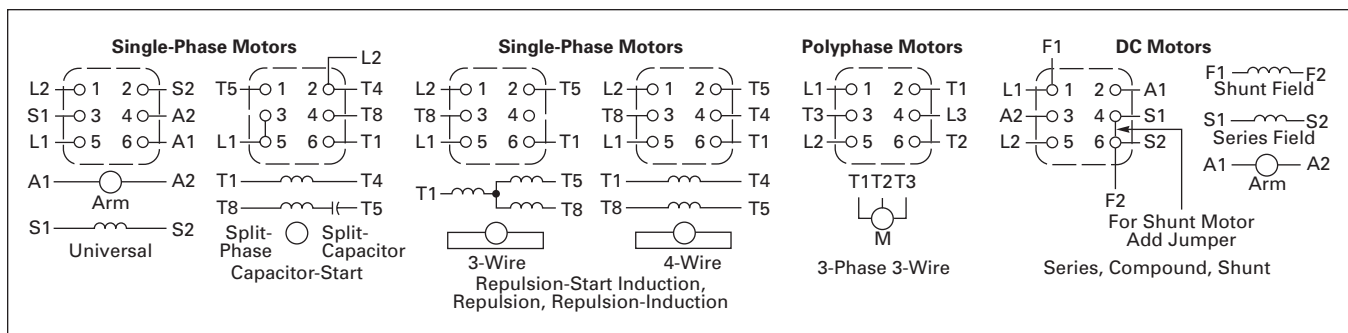


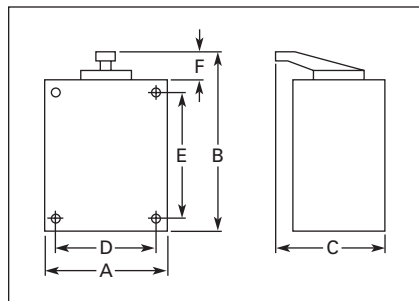
Figure 38-5. Wiring Diagrams

**Type 9441, Reversing Drum Switches**

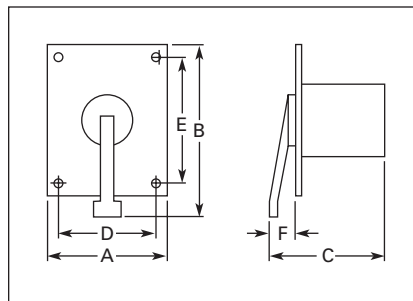
**Dimensions**

**Table 38-10. Approximate Dimensions and Shipping Weights**

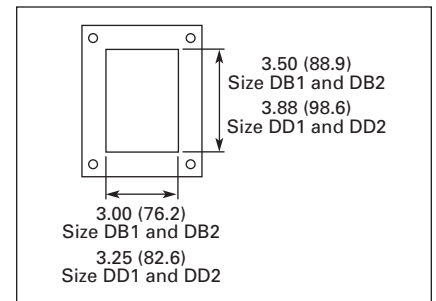
Size	Type of Operator	Dimensions in Inches (mm)						Shipping Weights Lbs. (kg)
		Wide A	High B	Deep C	Mounting		Lever F	
					D	E		
<b>Surface Mounting</b>								
DB1 & DB2	Lever	2.50 (63.5)	5.88 (149.4)	4.38 (111.3)	2.00 (50.8)	2.25 (57.2)	1.88 (47.8)	3.0 (1.4)
	Knob	2.50 (63.5)	5.38 (136.7)	3.00 (76.2)	2.00 (50.8)	2.25 (57.2)	1.38 (35.1)	3.0 (1.4)
DD1 & DD2	Lever	3.38 (85.9)	6.88 (174.8)	4.75 (120.7)	2.63 (66.8)	2.75 (69.9)	2.00 (50.8)	4.0 (1.8)
	Knob	3.38 (85.9)	6.25 (158.8)	3.63 (92.2)	2.63 (66.8)	2.75 (69.9)	1.38 (35.1)	4.0 (1.8)
<b>Cavity Mounting</b>								
DB1 & DB2	Lever	4.00 (101.6)	4.75 (120.7)	5.00 (127.0)	3.50 (88.9)	4.00 (101.6)	1.88 (47.8)	3.0 (1.4)
	Knob	4.00 (101.6)	4.50 (114.3)	4.50 (114.3)	3.50 (88.9)	4.00 (101.6)	1.38 (35.1)	3.0 (1.4)
DD1 & DD2	Lever	4.50 (114.3)	5.75 (146.1)	5.25 (133.4)	4.00 (101.6)	4.50 (114.3)	2.00 (50.8)	4.0 (1.8)
	Knob	4.50 (114.3)	5.13 (130.3)	4.63 (117.6)	4.00 (101.6)	4.50 (114.3)	1.38 (35.1)	4.0 (1.8)



**Figure 38-6. Approximate Dimensions Surface Mounting**



**Figure 38-7. Approximate Dimensions Cavity Mounting**



**Figure 38-8. Approximate Dimensions Panel Cutout Cavity Mount**

**Product Selection**

**When Ordering Supply**

- Catalog Number



**Table 38-11. Reversing Drum Type without Overload Relay**

Maximum Horsepower						Size	Type of Operation	Surface Mounting General Purpose — NEMA 1			Flush or Cavity Mounting (Oiltight Mounting on Sizes DB and DD)		
3-Phase		Single-Phase		DC				Lever Operator	Knob	Price U.S. \$	Lever Operator	Knob	Price U.S. \$
200 – 230V	380 – 575V	115V	230V	115V	230V		Catalog Number		Catalog Number				
<b>3-Pole</b>													
2	2	1-1/2	2	1	1	DB 1	Maintained ①	9441H268	9441H269		9441H274	9441H275	
							Maintained and Momentary ②	9441H271	9441H272		9441H276	9441H277	
3	5	1-1/2	2	1	1	DB 2	Maintained ①	9441H353	9441H354		9441H347	9441H348	
							Maintained and Momentary ②	9441H356	9441H357		9441H349	9441H350	
5	7-1/2	1-1/2	3	2	3	DD 1	Maintained ①	9441H284	9441H285		9441H388	9441H287	
7-1/2	10	2	5	2	3	DD 2	Maintained ①	9441H361	9441H363		9441H362	9441H364	

① These devices are field convertible from maintained both positions to momentary both positions.  
 ② These devices are field convertible from maintained FORWARD and momentary REVERSE to momentary FORWARD and maintained REVERSE.